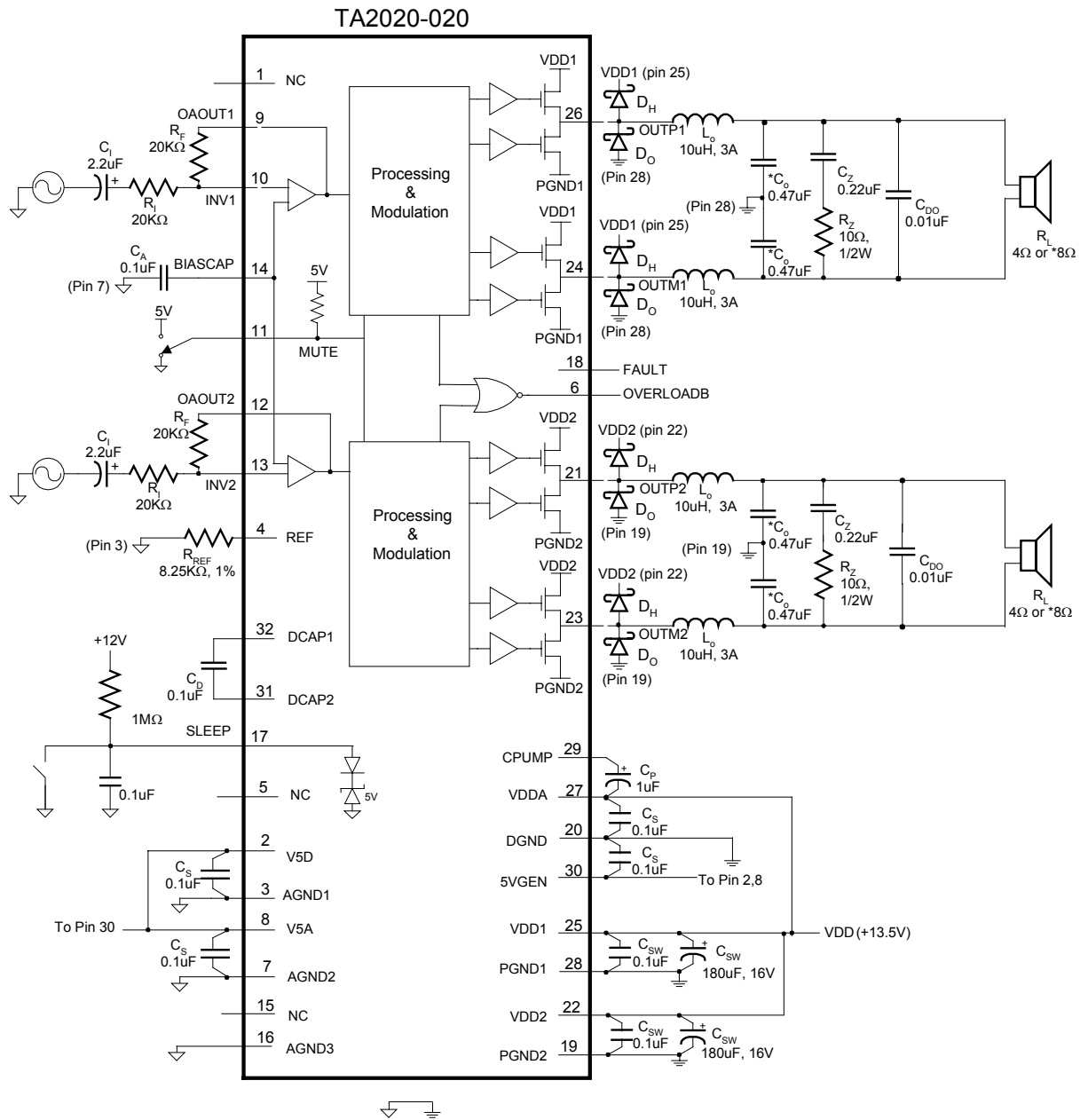


**APPLICATION / TEST CIRCUIT**



Note: Analog and Digital/Power Grounds must be connected locally at the TA2020-020

⏏ Analog Ground

⏏ Digital/Power Ground

Diodes (D<sub>O</sub> and D<sub>H</sub>) are Motorola MBRS130T3 (the D<sub>H</sub> diodes are required for V<sub>DD</sub>>13.5V)

\* Use C<sub>O</sub> = 0.22μF and C<sub>Z</sub>=0.22μF for 8 Ohm loads