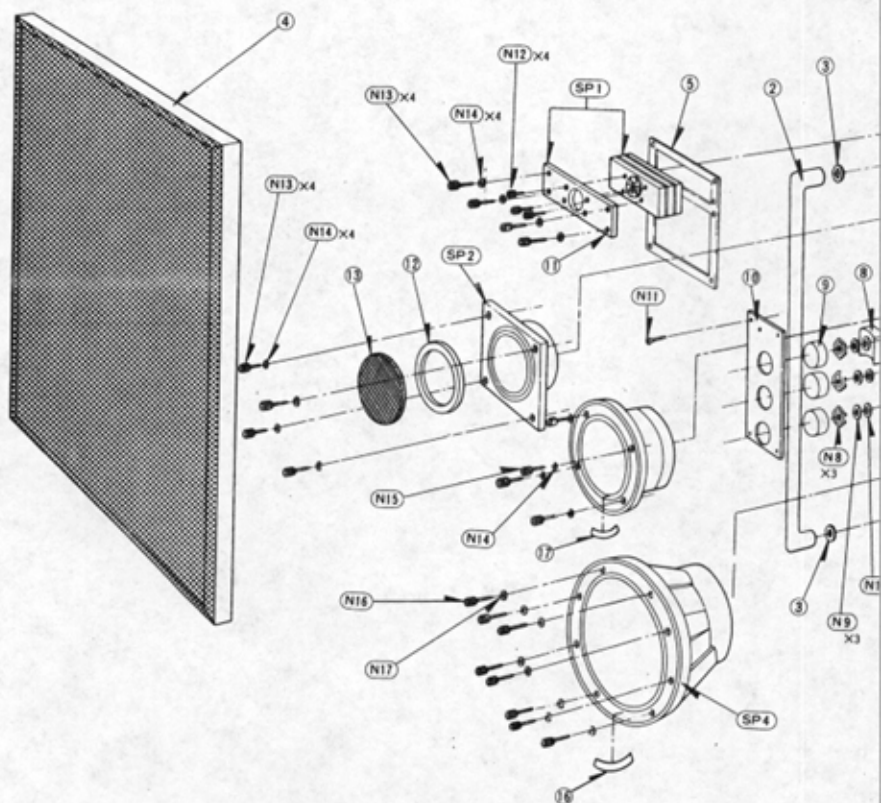


## ■ EXPLODED VIEW



## ■ REPLACEMENT PARTS LIST

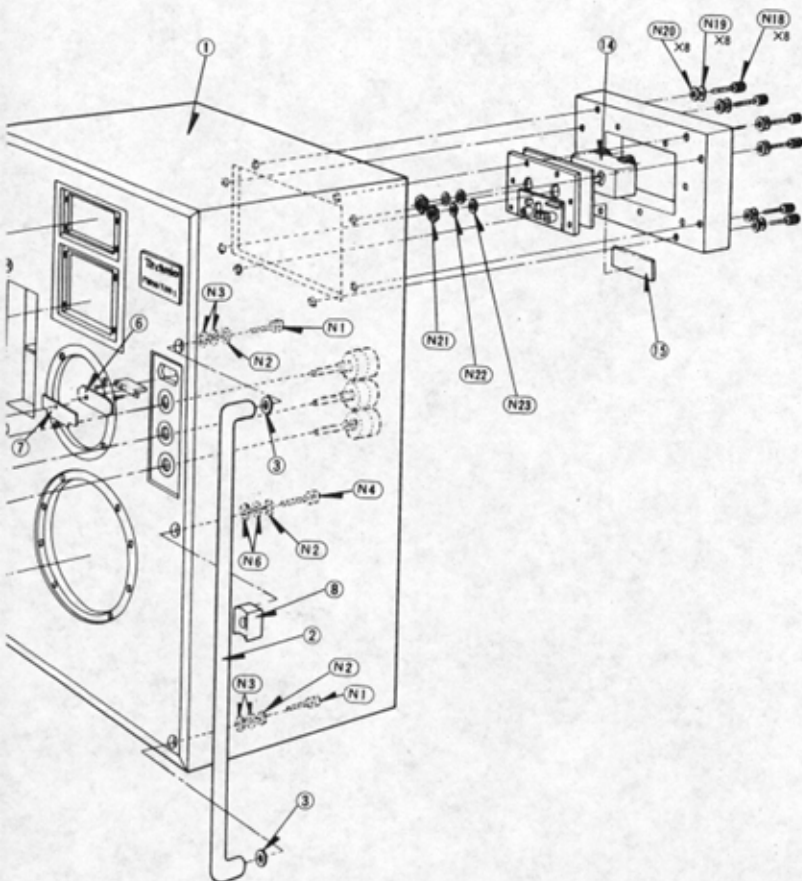
**Notes:** 1. Part numbers of indicated on most mechanical parts.  
Please use this part number of parts orders.

2. The "S" mark is service standard parts and may differ from production parts.

\*This model has for Right and Left type.

Ref. No.	Part No.	Part Name & Description	
<b>SPEAKERS</b>			
SP1	SASS3PHMIT	Speaker, Tweeter	(1)
SP2	EAS12PM216S	Speaker, Mid-High	(1)
SP3	EAS22PLO3S	Speaker, Mid-Low	(1)
SP4	EAS38PL32S	Speaker, Woofer	(1)
<b>COILS</b>			
L1	SLCD682JU	Coil, 6.8mH	(1)
L2	SLCSB222JU	Coil, 22.2mH	(1)
L3	SLCSB682JU	Coil, 6.8mH	(1)
L4	SLCSB331KU	Coil, 0.33mH	(1)
L5	SLCSB561KU	Coil, 0.56mH	(1)
L6	SLCSB102JU	Coil, 1.0mH	(1)
L7	SLCSC221KU	Coil, 0.22mH	(1)

Ref. No.	Part No.	Part Name & Description	
<b>CAPACITORS</b>			
C1	ECEA100Y56K	Electrolytic 100V 56 $\mu$ F	(1)
C2	ECQE1825JN	Polyester 100V 8.2 $\mu$ F	(1)
C3	ECEA100Y15K	Electrolytic 100V 15 $\mu$ F	(1)
C4	ECQE1565JN	Polyester 100V 5.6 $\mu$ F	(1)
C5-C9	ECQE1106JN	Polyester 100V 10 $\mu$ F	(1)
C10	ECQE1475JN	Polyester 100V 4.7 $\mu$ F	(1)
C11	ECQE1335JN	Polyester 100V 3.3 $\mu$ F	(1)
C12	ECQE1106JN	Polyester 100V 10 $\mu$ F	(1)
C13	ECQE1475JN	Polyester 100V 4.7 $\mu$ F	(1)
C14	ECQE1825JN	Polyester 100V 8.2 $\mu$ F	(1)
C15	ECQE1475JN	Polyester 100V 4.7 $\mu$ F	(1)
<b>RESISTORS</b>			
R1	ERF10ZXX8R2	Resistor, 10W 8.2 $\Omega$	(1)
R2	ERF10ZXX3R9	Resistor, 10W 3.9 $\Omega$	(1)
R3-5	ERF10ZXX3R3	Resistor, 10W 3.3 $\Omega$	(1)
<b>BREAKER</b>			
B1	SSBS10A802-2	Thermal Relay, 1.0A	(1)



Ref. No.	Part No.	Part Name & Description
<b>ATTENUATOR</b>		
ATT1-3	SRES3	Attenuator (1)
<b>CABINET PARTS</b>		
1	SKABM1-RN	Cabinet, Right
1	SKABM1-LN	Cabinet, Left
2	SKHS3	Handle
3	SGES98	Washer, Handle
4	SYBS92	Grille, Right
4	SYBS93	Grille, Left
5	SHRS9050	Spacer, Tweeter, Mid-High
6	SHRS9055	Spacer, Thermal Relay
7	SHRS9053	Spacer, Thermal Relay
8	SGES97	Cushion Rubber
9	SBN931-4	Knob, Attenuator
10	SGKS112	Panel, Attenuator
11	SGWS15	Panel, Tweeter
12	SGES94	Spacer
13	SGMS23	Net, Mid-High
14	SJFS4209	Terminal
15	SGTS135-1	Name Plate
16	SGKS113	Label, Woofer
17	SGKS114	Label, Mid-Low

Ref. No.	Part No.	Part Name & Description
<b>SCREWS AND NUTS</b>		
N1	XVSS8B45FG	Screw, Handle
N2	XWA88	Washer, Handle
N3	XWGS24	Washer, Handle
N4	XVSS8B70FG	Screw, Spacer
N5	XWA88	Washer, Spacer
N6	XWGS24	Washer, Spacer
N7	XMM27+13	Screw, Thermal Relay
N8	XNG59CFZ	Nut, Attenuator
N9	XWV9	Washer, Attenuator
N10	XWGR15FZ	Washer, Attenuator
N11	XMS535+D16G	Screw, Attenuator Panel
N12	XVSS4B6FG	Screw, Tweeter
N13	XVSS6B30FG	Screw, Tweeter, Mid-High
N14	XWA6BFZ	Washer, Tweeter, Mid-High, Woofer (8)
N15	XVSS6B40FG	Screw, Mid-Low
N16	XVSS8B45FG	Screw, Woofer (4)
N17	XWA8BFZ	Washer, Woofer (8)
N18	XVSS6B60FG	Screw, Terminal (8)
N19	XWA88	Washer, Terminal (8)
N20	XWGSFZ	Washer, Terminal (8)
N21	XNG5	Nut, Speaker Terminal (2)
N22	XWA5B	Washer, Speaker Terminal (2)
N23	XWGSF16	Washer, Speaker Terminal (2)